

ROVECONCEPTS

Refined Luxury Living



**TULIP ROUND TABLE
ASSEMBLY INSTRUCTIONS**

HARDWARE



A

x6



B

x4



C

x10



D

x1



E

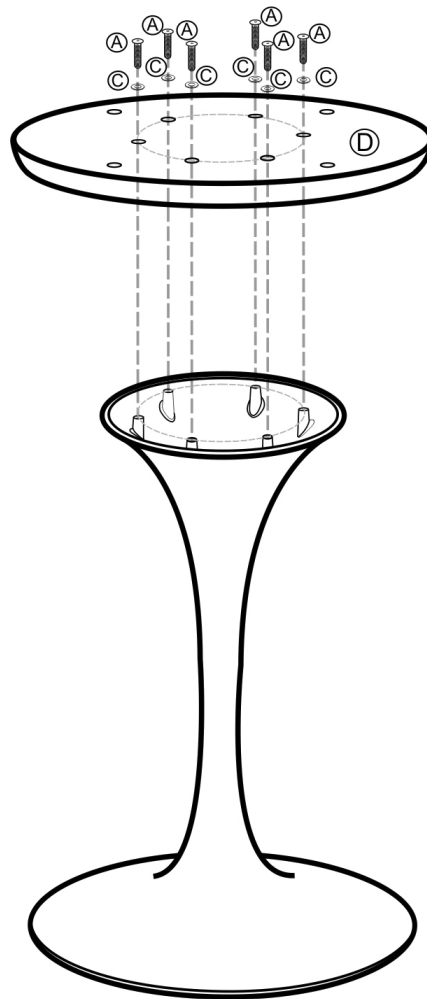
x1
Allen Key



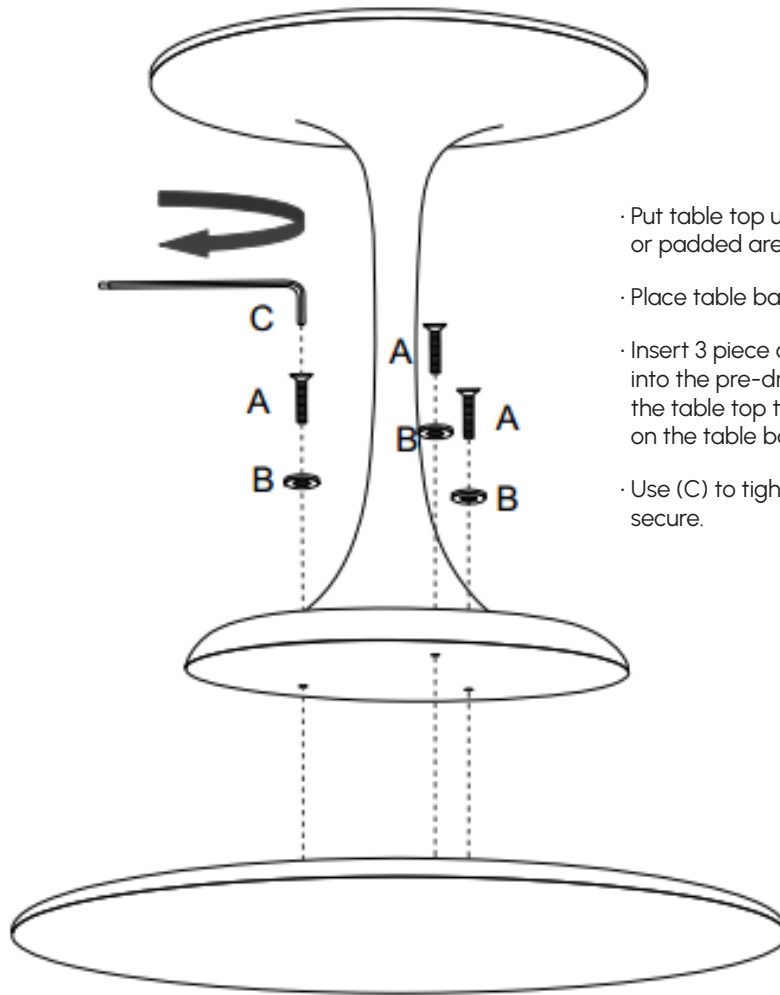
F

x1
Allen Key

STEP 1



STEP 2



- Put table top upside down on a carpeted or padded area.
- Place table base to table top as shown.
- Insert 3 piece of (A) with 3 pieces of (B) into the pre-drilled holes on the bottom of the table top through the pre-drilled holes on the table base.
- Use (C) to tighten (A) clockwise until secure.

STEP 3

